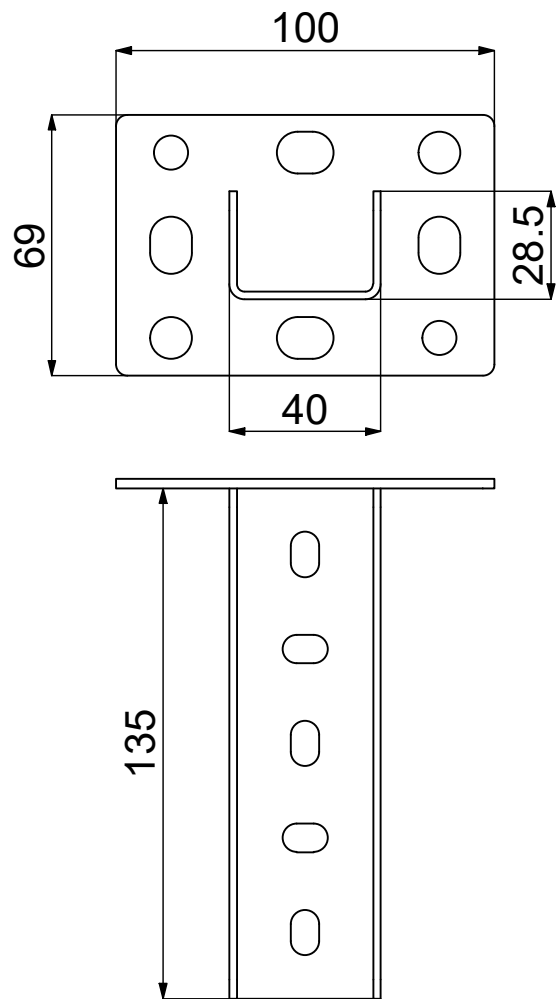


TMPY8



*t=2,5mm*

